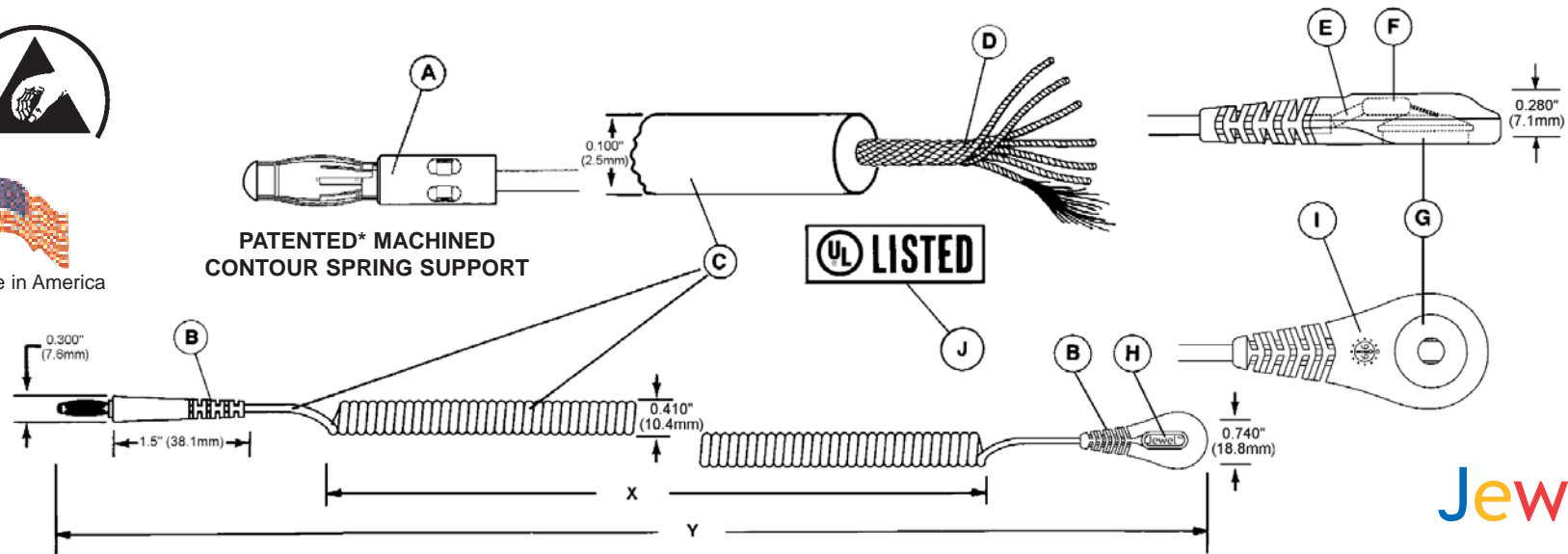


Made in America



Jewel®

- A. Barrel type banana plug with **machined contour spring support\***. Crimped uniformly from 4 sides for maximum strength. Fits industry standard banana jack  $\geq .157"$ . Per ESD S1.1 Paragraph 5.4, will maintain greater than 1 pound, less than five pound breakaway force requirement over the life of the cord.
- B. Thermoplastic elastomer strain relief molded on. Flex life average  $>30,000,000$  cycles (per ESD S1.1 Bending Life Test, greatly exceeding the 16,000 average cycle requirement). Break load average 30 pounds.
- C. Polyurethane wire insulation. Rapid retraction coil cord compresses length with resulting benefit of less tangling and dragging along work surface. Break load average 30 pounds.
- D. Single T-2940 tinsel conductor. Consisting of 7 strands of polyester wrapped with copper. High flex life. Equivalent is 29 gauge (cir mil and/or ohms).
- E. Autosplice brass crimp secures conductors to resistor lead and provides stress relief for resistor.

- F. One megohm  $\pm 5\%$ , 1/4 watt, series resistor limits current for operator safety. (Per ESD S1.1 paragraph 7.1 current limiting resistance requirement.)
- G. Spring loaded 4mm medical snap socket. Spring separation  $.125" - .165"$ . Provides 1-5 pound breakaway from  $.160"$  snap stud (ESD S1.1). Compatible with most major brands.
- H. Jewel® logo molded in compliance with ESD S1.1.
- I. Date coded with date of manufacture.
- J. Underwriters Laboratory Listing 90P1C when used with Desco wristbands.

Jewel® Wrist Bands and Coil Cords meet and exceed the Wrist Band and Wrist Cord requirements of ANSI/ESD S20.20 except that ESD S1.1 paragraph 5.9 states "Only wrist straps incorporating a nonstandard [resistor] value shall use the color red on any portion of the wrist strap."

ITEM	DESCRIPTION	Retracted Length		Extended Length	
		X	Y	Nominal	Max
09120	6' Cord, Sapphire	10"	27"	6'	8.5'
09122	6' Cord, Ruby	10"	27"	6'	8.5'
09124	6' Cord, Topaz	10"	27"	6'	8.5'
09126	6' Cord, Emerald	10"	27"	6'	8.5'
09128	6' Cord, Amethyst	10"	27"	6'	8.5'
09121	10' Cord, Sapphire	16"	32"	10'	13'

\*U.S. Patent  
5951337

**Jewel® Lifetime Limited Warranty**

Desco expressly warrants that for a period of 1 year from the date of purchase, Desco Jewel® Wrist Straps and Coil Cords will be free of defects in material (parts) and workmanship (labor). In addition, normal use will not cause Coil Cord resistor strain relief connection or Wrist Band 4 mm snap stud to wear sufficiently to open path-to-ground circuit. Within the lifetime warranty period, a credit for purchase of replacement Desco Jewel® products, or, at Desco's option, the Desco Jewel® product will be repaired or replaced free of charge. If product credit is issued, the amount will be calculated based upon the original invoice purchase price.

See drawing 09105 for wristband specifications.

**JEWEL® GROUND CORD, WRIST STRAP, RETRACTILE, COILED**

DESCO WEST: 3651 WALNUT AVE., CHINO, CA 91710 WEB SITE: Desco.com  
PHONE (909) 627-8178 FAX (909) 627-7449

DESCO EAST: 90 HUDSON RD, CANTON, MA 02021-1407  
PHONE (781) 821-8370 FAX (781) 575-0172

DRAWING NUMBER  
09120

DATE:  
July  
2008

**DESCO**